

HELLA



**PROTECTION
AND SAFETY**

Roller shutters

CONTENTS

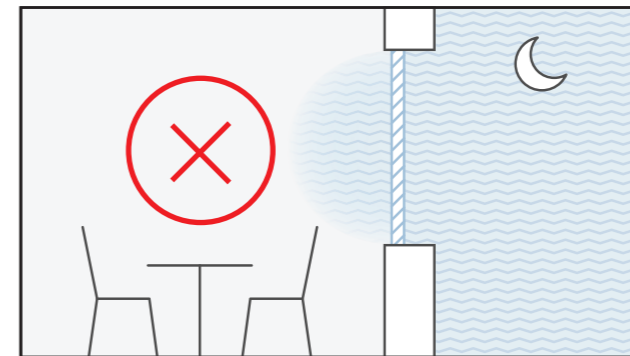
Good climate	4
A room to feel good in	
Front-mounted roller shutters	6
Flexible and individual	
Plaster base elements	8
Invisible energy saver	
Built-in roller shutters	10
Quality that pays off	
Guide rails	12
Always one step ahead	
Safe at home	14
Resilient in everyday life	
Profiles	16
Perfection in detail	
Profile colors	18
Standard colors	
ONYX	20
The Smart-Home-System from HELLA	
The world of HELLA	22
Premium quality for generations	





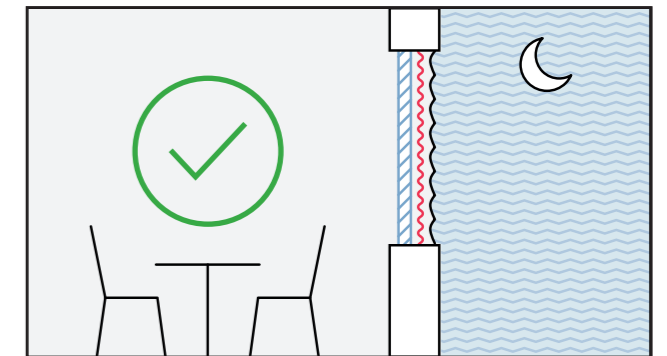
LESS HEATING ENERGY IN WINTER

When closed, HELLA roller shutters create an air cushion in front of the glass and thus prevent the circulation of air. As a result, a roller shutter reduces heat loss through the window by up to 30 percent and thus saves significantly on heating costs.



Without sun protection

In cold temperatures windows and glass facades function like a thermal bridge: The warm air escapes and it becomes unpleasantly cool in the living area.



With sun protection

When the sun protection is closed, an air cushion is created in front of the glass, which prevents the circulation of air. As a result, the warm air stays inside the living area and keeps the cold air outside.

GOOD CLIMATE

A room to feel good in

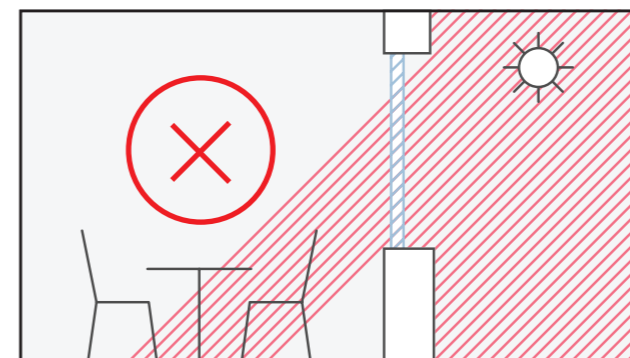
A roller shutter from HELLA fulfils several functions at once. In addition to providing a high level of protection against burglary, it also ensures a pleasant indoor climate in summer and winter. Especially in times of rising energy costs, this is a very important factor that saves heating costs and often even makes air conditioning unnecessary.

HIGHLIGHTS

- Heat and cold remain outdoors
- Less heating in winter
- Less cooling in summer
- Up to 30 % less energy loss

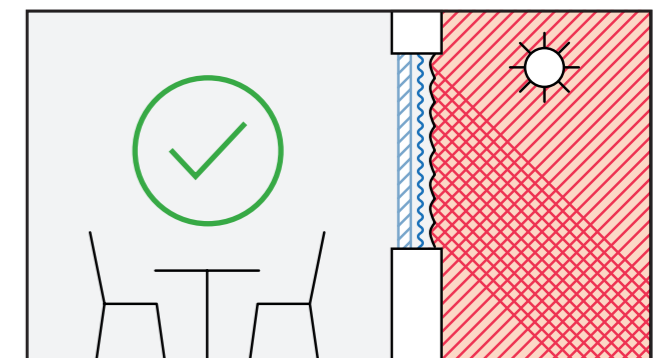
LESS COOLING ENERGY IN SUMMER

HELLA roller shutters shield up to 85 percent of the heat of the sun and often replace an air-conditioning system. Modern daylight roller shutters still allow comforting light to enter the room.



Without sun protection

Heat can enter the living space without hindrance. The temperature inside the room is unpleasantly high.



With sun protection

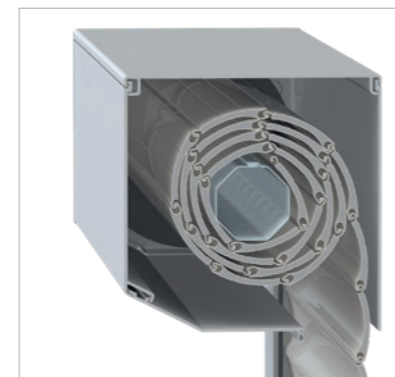
The air circulation between the sun protection and the window largely eliminates heat transfer via convection.



FRONT-MOUNTED ROLLER SHUTTERS

Flexible and individual

Round, square, slanted or quadratic - you can select one of these four different front-mounted roller shutter box shapes suitable for your house. Thanks to intelligent technology, we create unrivalled small boxes, which facilitates installation and mostly prevents the roller shutter box from being visible from the inside. The genius of this principle is that the roller shutter can be installed quickly, without problems and functions as a climate buffer like an additional pane. Moreover, all drive types and the upgrade with the insect screen is available for the front-mounted roller shutter.



nova angular 27° | slanted 45°
extruded, optionally with insulation and insect screen roller shutter



nova square design
extruded, optionally with insulation and insect protection roller blind

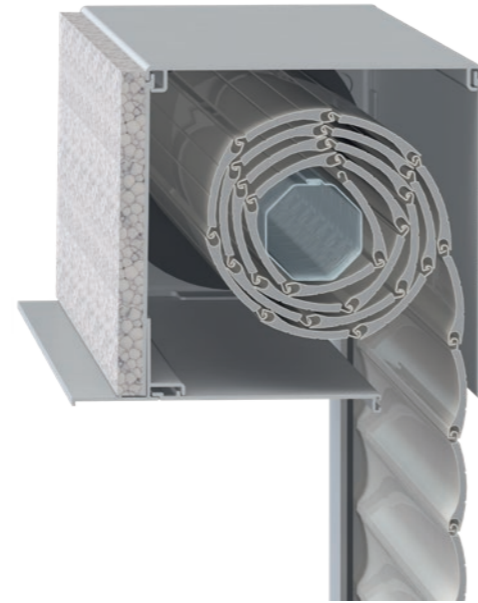


nova round design
extruded, optionally with insulation and insect protection roller blind

PLASTER BASE ELEMENTS

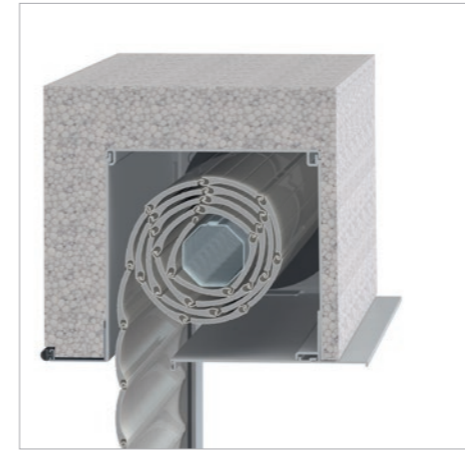
Invisible energy savers

The plaster base elements technically equal the front-mounted roller shutter. However, they are integrated in the wall and thus no longer visible. The box of the roller shutter is enclosed by a "plaster base". This has great advantages: The box can be perfectly plastered after the installation in the lintel opening and thus can be invisibly and seamlessly integrated into the facade. Additionally the plaster base roller shutter achieves a thermal separation between roller shutter and wall. This avoids thermal bridges and energy loss.



nova square
extruded with plaster support element, optional with insect screen

Additional insulation possibilities



Box
Available with insulation in 20/30/40 mm



Guide rail
Available with insulation in 20/30/40 mm

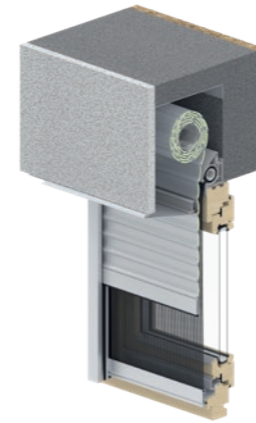


BUILT-IN ROLLER SHUTTERS

Quality that pays off

Built-in roller shutters are profitable in several ways for architects and builders: They save time and costs during construction, but also with further maintenance tasks. As a standard, HELLA installs a telescopic shaft that guarantees easy service.

The structural-physical advantages of an uncompromising integration of the sun protection into the wall are decisive. There are no weak spots, boxes and guide rails are installed flush, the energy efficiency and the versatility of the solutions are captivating. Top-mounted or in the window lintel, maintainable from the in- and outside, with integrated insect screen, toggle catches and intelligent controls – built-in roller shutters can do a lot and are unrivalled as "climate buffers".



TRAV Active
With integrated sunshade
and optional insect screen



TRAV frame
With integrated sunshade
and optional insect screen

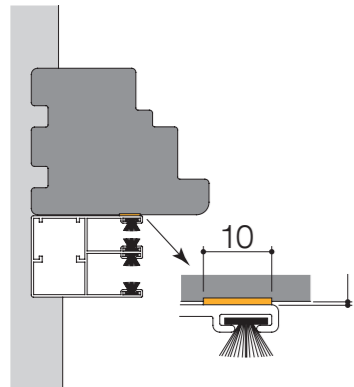


GUIDE RAILS

Always one step ahead

Profiles and guide rails form an inseparable unit. HELLA guide rails expand the overall system of individual roller shutter solutions by other important functions.

The safety roller shutter has a reinforced guide rail with a unique screwing technology. The energy saving roller shutter has a guide rail with distancing in order to achieve an air cushion as large as possible between the window pane and the roller shutter and an additional insulation body to avoid thermal bridges. The guide rail of the insect screen has a second, separate guide level.



Driving rain tightness for guide rails

An affixed sealing tape forms a seal between the guide rail and the mounting base. This way, your doors and windows are perfectly protected against seeping rain water.

Easy to maintain

End rod

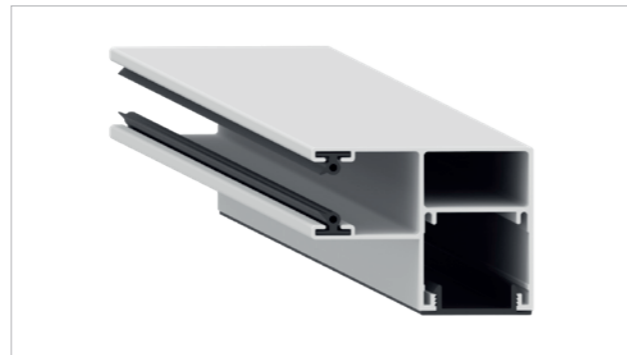
The roller shutter curtain can be removed at any time thanks to the rotatable concealed stoppers. With this system repair work becomes a cinch. Modifications like installing the insect roller screen can thus easily be carried out.

Roller shutter guide rails



Standard

Available in different variants and sizes



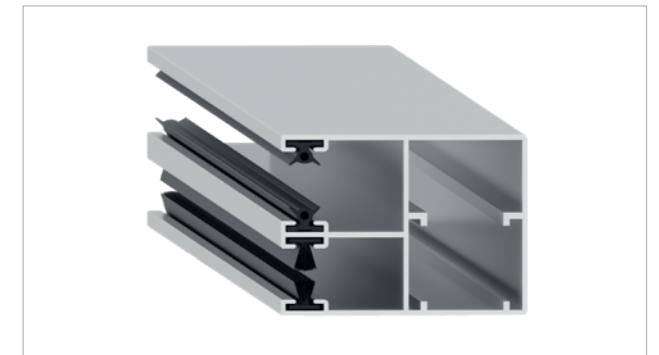
Distance guide rails

The distance between window and roller shutter creates an air cushion that functions as a climate buffer and noise insulation.



Guide rail with additional insulation

Available in 20/30/40 mm



Insect screen guide rail

Practical, beautiful and stable: integrated protection from pests



SAFE AT HOME

Resilient in everyday life

Reliable protection against uninvited guests and maximum convenience with the operation – the Top-Safe is a roller shutter that offers safety at the push of a button. It can be controlled via the HELLA building control or radio. It has a roller shutter curtain made of extruded aluminium and reinforced guide rails with a safety device against removal.



Top-Safe
Burglar-resistant roller shutter

Safety components



Lift-up protection



Security roller shutter profile



Box strengthening bracket
Against removal of the box



Strengthened end rod
With double neoprene and steel insert



Safety guide rail
Reinforced safety guide rail with additional anti-dismantling device



PROFILE

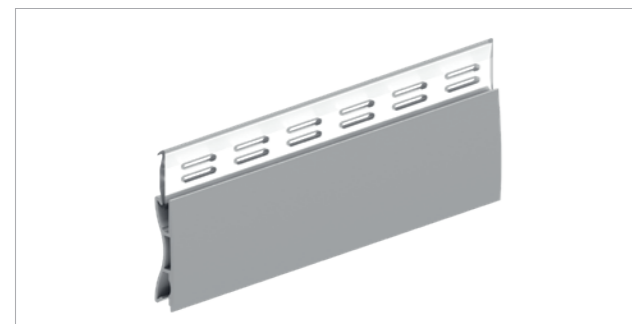
Perfection in detail

Besides the installation type, the selected roller shutter profile determines the specific characteristics of a HELLA roller shutter. The shape, the construction and the material of our profiles are the result of intensive research and decades of experience. In general all roller shutters offer protection and save energy for heating and cooling.

Limit sizes	T37	A37	AV42	A52	K37	K52	S37
Max. width [mm]	2500	3000	3500	4000	1800	2300	2500
Max. height [mm]	2300	4000	4000	4000	3000	3000	3000
Max. surface [m²]	5	7.5	8	10	3.1	4.5	6.5
Covering width [mm]	38.4	37	42	52	37	52	37

Daylight profile

The diffuse intermediate profiles enable a streak-free incidence of light while protecting your privacy. Heat, cold and noise remain outdoors!



T37

Safety profile

The double-walled, extruded and extremely stable aluminium profile (37 x 8,5mm) with light gaps is foam-free and is characterized by the especially thick profile. The profiles are powder-coated, the curtain is locked over the entire height.



S37

Aluminium profiles

The hollow space of the double-walled, roll formed aluminium profile with light gaps is foamed with polyurethane. The profiles are coated with thick lacquer, the blind is locked over the entire height.



A37

Plastic profiles

The double-walled plastic profile - our proven classics for all situations.



K37



AV42



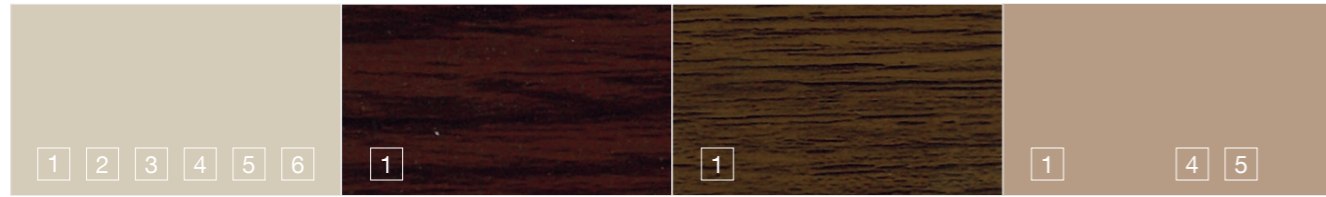
K52



A52

PROFILE COLORS

Standard colors



0003 **Beige** 0011 **Mahogany** 0044 **Walnut** VSR 0110 **Dark beige**



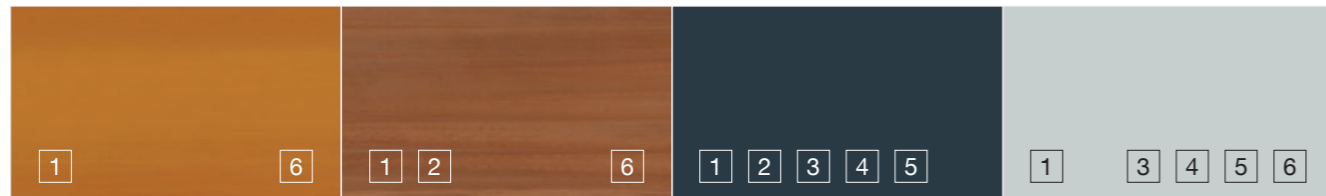
RAL 7038 **Agate grey** RAL 8014 **Sepia brown** RAL 8077 **Dark brown** RAL 9006 **White aluminium**



VSR 0330 **Purple red** VSR 0780 **Bronze** RAL 1015 **Light ivory** RAL 6005 **Moss green**



RAL 9007 **Grey aluminium** RAL 9016 **Traffic white** DB 703 **Anthracite iron mica** On demand **Special colors according to RAL**



6104 **Light oak** 6105 **Golden Oak** RAL 7016 **Anthracite grey** RAL 7035 **Light grey**

Available roller shutter profiles



1 **A37** Aluminium 2 **AV42** Aluminium 3 **A52** Aluminium 4 **S37** Aluminium 5 **T37** Aluminium 6 **K37/K52** Plastic



ONYX

The Smart-Home-System from HELLA

The Smart-Home-System ONYX.HOME was specially developed for the operation of sun protection products. Venetian blinds, outdoor blinds, awnings, and roller shutters are conveniently controlled by smart phone, tablet, or fully automatic. All products are graphically displayed in the free ONYX app and can be visually identified by colors.

The sun shading products can also be controlled by voice control, push-buttons, by the ONYX.CLICK hand-held radio transmitter, or the ONYX.SWITCH wall-mounted radio transmitter. The HELLA ONYX system can be connected to all common smart home systems and allows the sun to get in only where it is wanted.

For a smart home

Smart playing with the sun! Be it a room flooded with light in winter or a shaded terrace on a hot summer's day – with the ONYX.HOME control system, it has never been easier to guide the daylight and make optimum use of it within your own four walls. Digital, automatic, and in real time!



Control system for offices, etc.

Whether it's an apartment building or a large office complex – ONYX.PRO from HELLA has the building's energy balance for architecture of any size under control. ONYX.PRO provides a uniform façade appearance and protects the sunshade from the influence of weather. In coordination with the electrical planner, HELLA takes over the pre-configuration and commissioning of the sun protection systems. More sun protection – less air conditioning!





The HELLA headquarters with plant in Abfaltersbach, East Tyrol

Alois Kraler
Founder of the company HELLA

PREMIUM QUALITY FOR GENERATIONS

The company was established in the year 1959 in Abfaltersbach in Austria and has since been in the ownership of the Kraler family. From a small family-run business in the East Tyrol mountains, it has now become one of the leading companies in sun and weather protection technology. HELLA, as the only full service provider in the market, attaches great importance to everything being produced in-house. Technology, production, consulting and also installation if required – premium quality is the benchmark here. All products are manufactured individually to measure, and the in-built components are designed for robustness and long service life.

A look at the whole room

Venetian blinds, roller shutters, awnings or pergola – Sun protection systems from HELLA are more than just smart shade givers. The intelligent systems play elegantly with light and shadows and create individual spatial experiences. With the products of the premium provider from Austria, you can control your personalised daylight profile in all internal and external spaces. Over and above that, the shading systems from HELLA also help in reducing energy consumption when equipped with weather sensors.

HELLA

Brochure | Roller shutter

7530 0001_EN

03/2023

Subject to modifications.